

# Re-Purpose

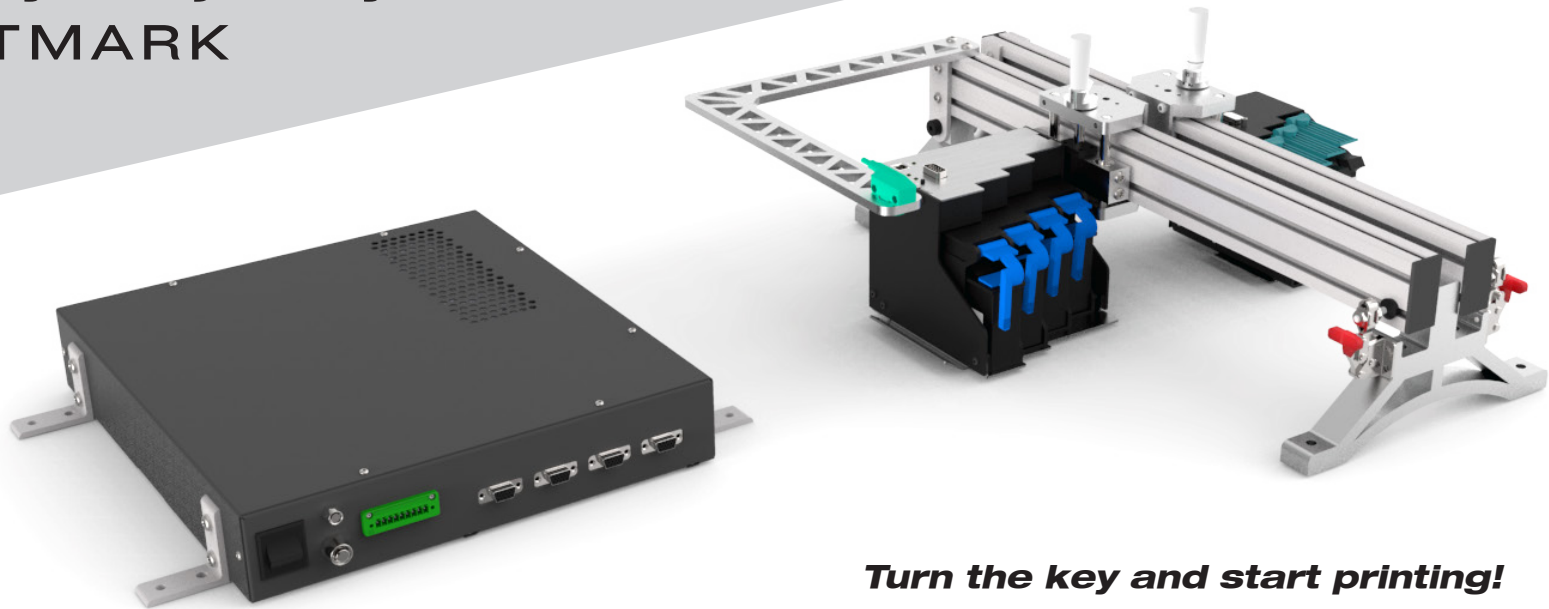
old equipment

[www.postmark-usa.com](http://www.postmark-usa.com)

[www.postmark.dk](http://www.postmark.dk)

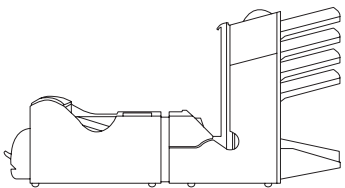
## Turnkey Inkjet Systems

by **POSTMARK**

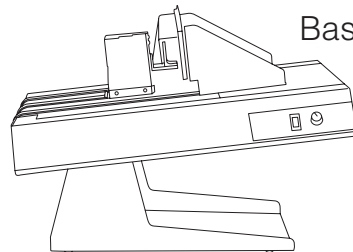


***Turn the key and start printing!***

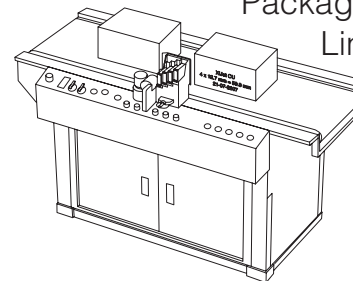
Inserters



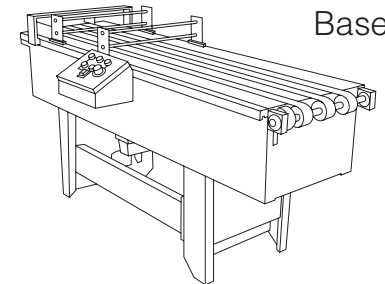
Small  
Bases



Packaging  
Lines

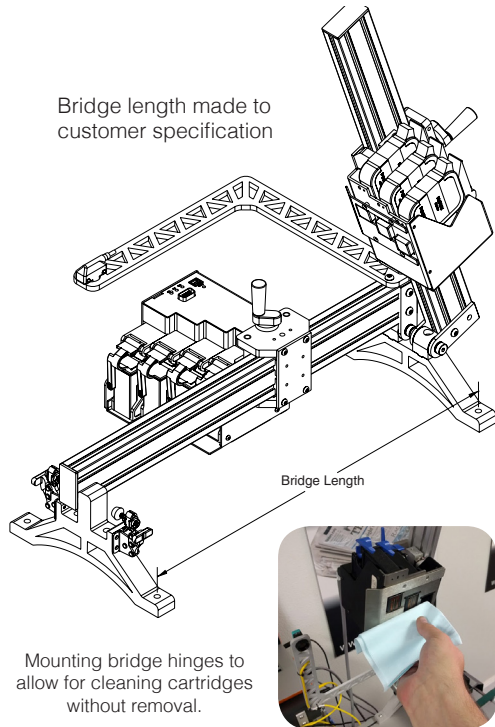


Vacuum  
Bases



# Turnkey Inkjet Systems

Your chosen print heads are mounted onto a customized bridge. All peripheral electronics are pre-configured and supplied in a component box. Simply install the printing software and start! Leave the configuring up to us!



## Xijet Print Head Specifications

Inkjet Technology	Funai or HP - Thermal Inkjet
Ink Source	Cartridge or Bulk Delivery System
Number of cartridges per head	1 - 8 (0.5" to 4.0")
Inks	Black, Color, UV Invisible, IR Invisible, Solvent
Ink Usage Tracking	Yes
Speed	Up to 1200 feet / 365 meters per minute
Print Resolution	Configurable to 600 x 600 dpi
Max Print Height	4.0" (8 staggered pens stitched)
Max. Print Length	700"
Print Data Types	Alphanumeric, Bar Codes, Graphics Fixed and/or variable data Special Features (Counters, date/time, shift codes)
Print Head Features	Off-line Printing, Automatic pen-deactivation Multi-Page Buffering, Real-time clock
Number of Print Heads	Up to 12



**Turn the key and start printing!**

# POSTMARK

**POSTMARK INC**

PHONE | 805.594.1454

FAX | 805.594.1455

3197 DUNCAN LANE #A  
SAN LUIS OBISPO, CA 93401  
UNITED STATES OF AMERICA

[WWW.POSTMARK-USA.COM](http://WWW.POSTMARK-USA.COM)

**POSTMARK APS**

PHONE | +45 65 910190

ENIGHEDSVEJ 21  
5000 ODENSE C  
DENMARK

[WWW.POSTMARK.DK](http://WWW.POSTMARK.DK)